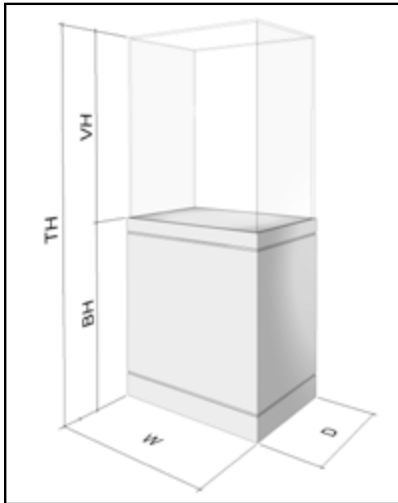
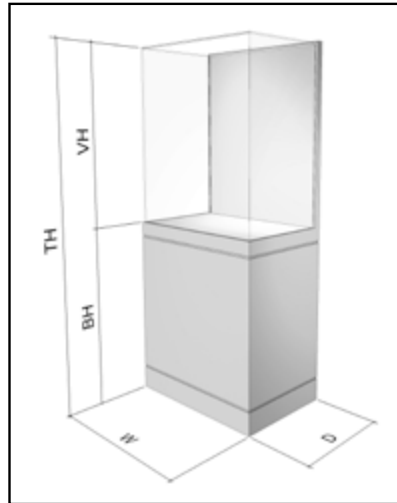


HELPFUL GUIDE FOR ORDERING ARTIFACT CASES



5-Sided Freestanding Case



4-Sided Freestanding Case

W- Width of case base from left to right
 D- Depth of case base from front to back
 BH- Height of case base from floor to top of deck
 VH-Viewable height
 TH-Total height

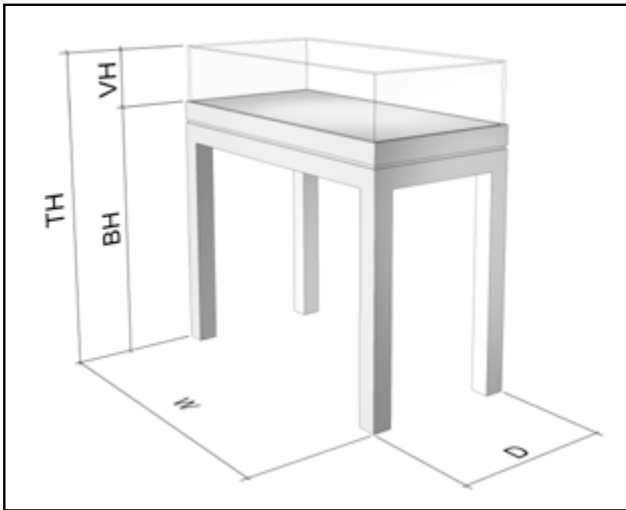


Table Case (On Legs Style Shown)

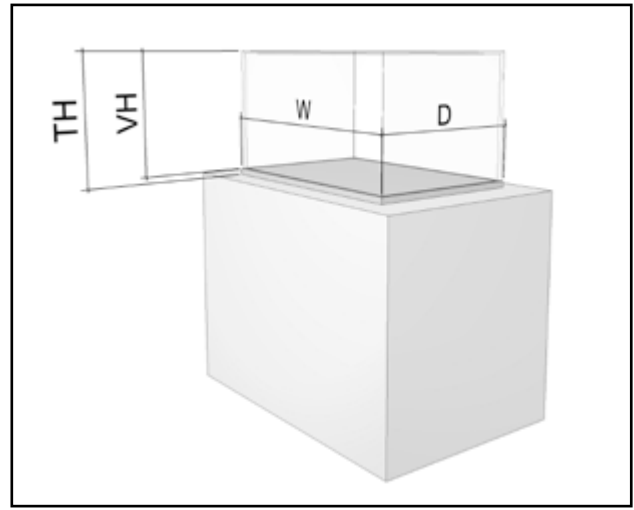
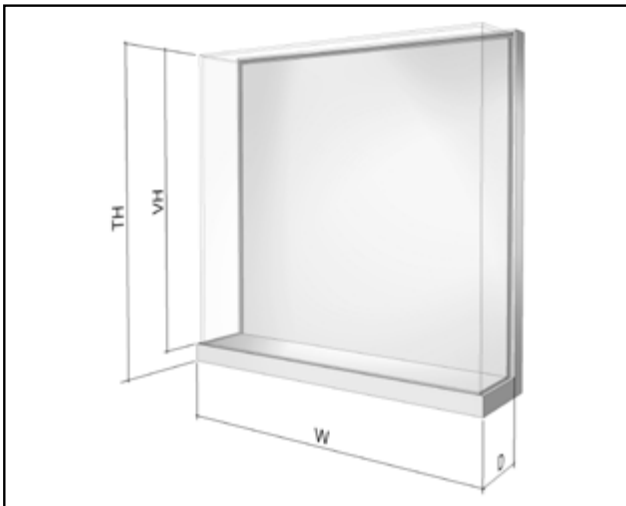
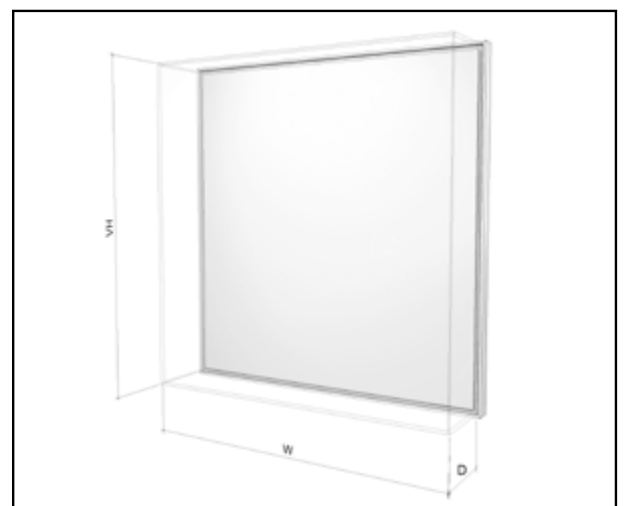


Table Top Case

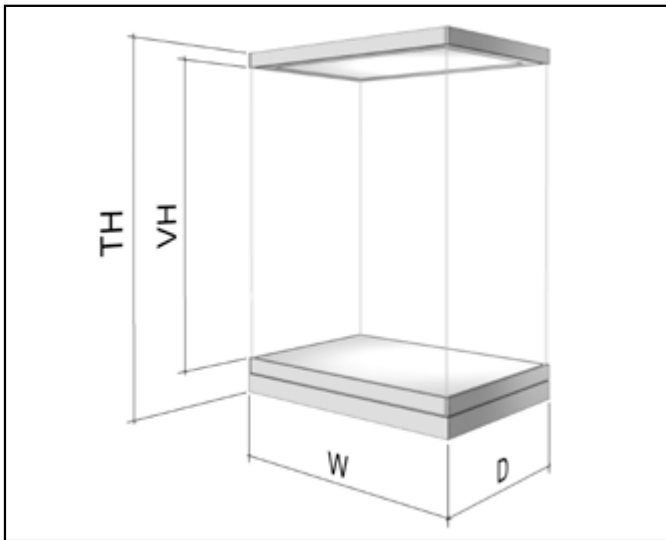


4-Sided Wall Case



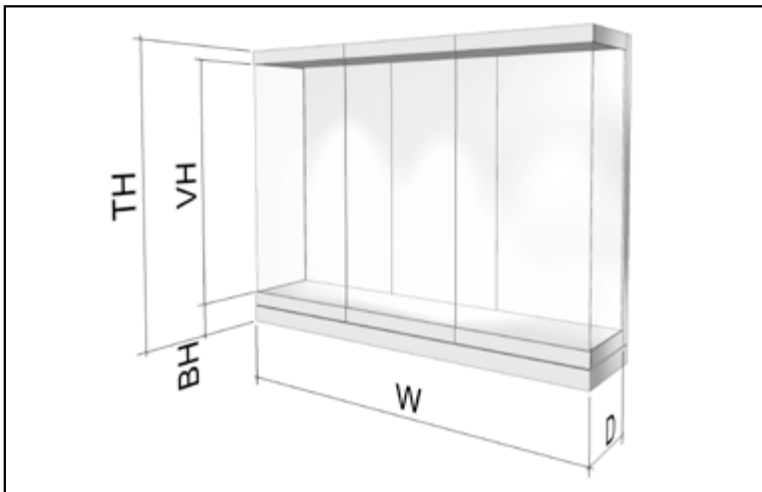
5-Sided Wall Case

HELPFUL GUIDE FOR ORDERING ARTIFACT CASES

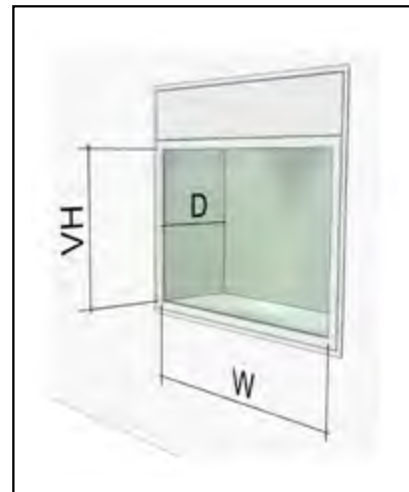


Freestanding Glass Floor Case

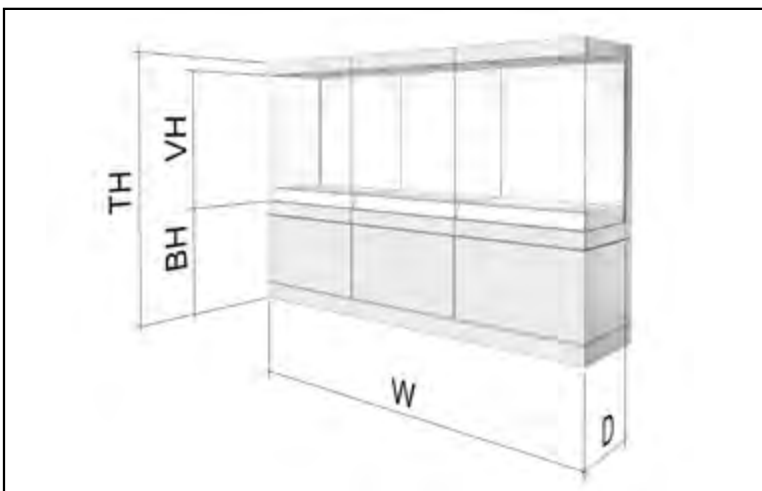
W- Width of case base from left to right
 D- Depth of case base from front to back
 BH- Height of case base from floor to top of deck
 VH-Viewable height
 TH-Total height



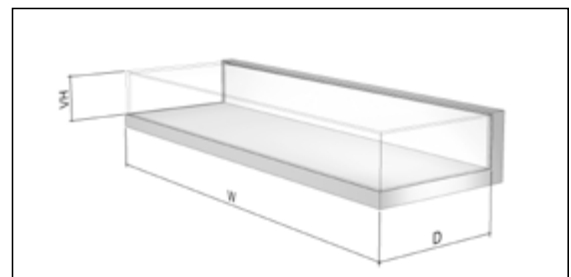
Glass Floor Case with Back



Built-In Wall Case

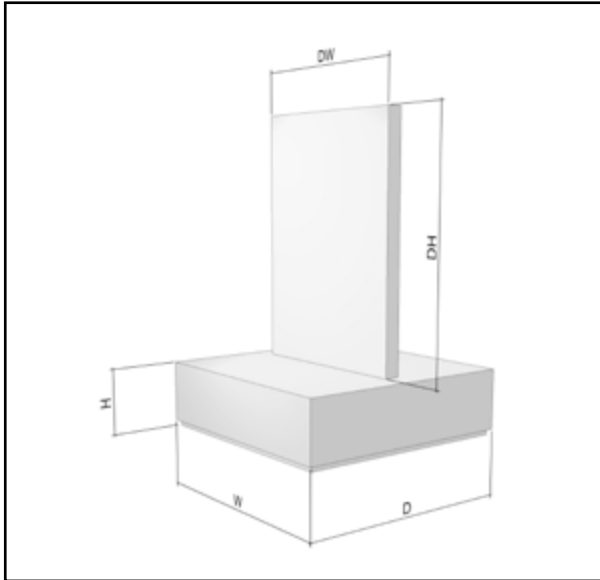


Glass Floor Case with Back (pedestal cabinet)

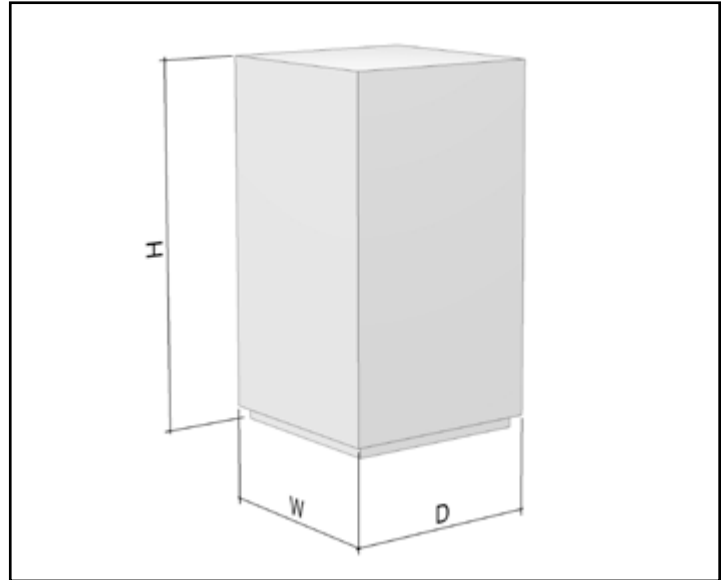


Wall Shelf Case Angled Deck

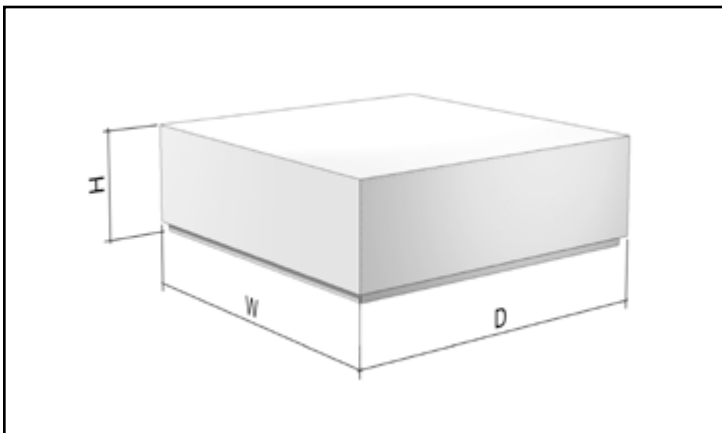
HELPFUL GUIDE FOR ORDERING ARTIFACT CASES



High Plinth With Divider



Pedestal



Plinth

W-Width of case base from left to right

D-Depth of case base from front to back

H-base-Height of case base from floor to top of deck

DW- Width of divider

DH-Height of divider

from top of plinth to top of divider

(Use notes section on quote form for divider information.)